

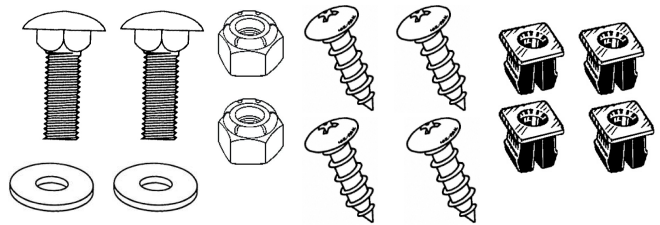


# TOPSY PRODUCTS

## Skid's Plate Bracket Installation Instructions

### Parts Included:

- 1 Skid's Plate Bracket
- 2 5/16"-18 x 1" S.S. Carriage Bolts
- 2 5/16"-18 S.S. Nylon Insert Nuts
- 2 5/16" Stainless Flat Washers
- 4 #14 x 1/2" Truss Head Screws
- 4 Nylon Nut Grommet

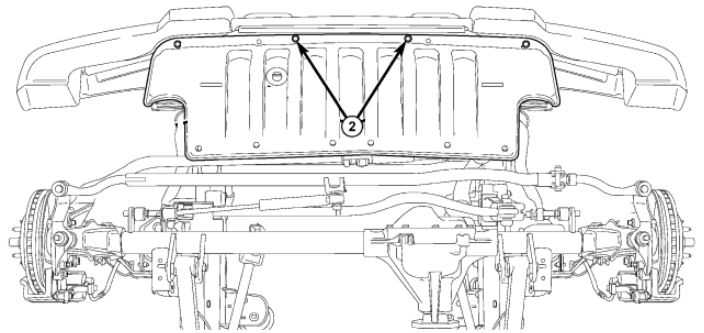


### Tools Needed:

- 1/2" Wrench or Socket
- #2 Phillips Screw Driver

### Instructions:

Remove the 2 center plastic clips that hold the front valence to the bumper.



Insert the 2 carriage bolts through the rectangular holes on the plate mount, making sure the threaded part faces up and the square part of the bolt seats into the square notch cut out of the bracket.

Place the bracket underneath the bumper lining up the 2 carriage bolts to the 2 holes on the valence under the bumper, making sure you have the angle of the bracket towards the rear.

Reaching inside the bumper, place the washer and nuts onto the carriage bolts and tighten up with a 1/2" wrench.



Enjoy!

**COMING SOON from Topsy Products:**

**The world's simplest hard top hoist. Remove your hard top without help from the neighbor!**